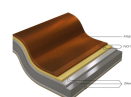
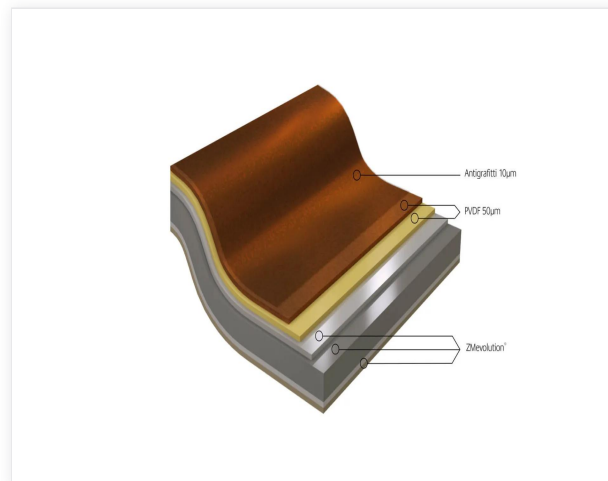


Intense antigraffiti - 60

Intense is a prepainted galvanized steel of a 60µm thick PVDF fluoridated thermoplastic multilayer paint applied at high temperature. Intense offers an exceptional aesthetic. The metallic colors of the Intense family give a unique perception of light that enhances the prestige of the façade.

- Excellent resistance to ultraviolet radiation due to the atomic structure of fluoropolymers
- Resistance to contamination and external deterioration thanks to its anti-graffiti protective varnish
- Recommended for prestigious buildings, Intense is a coating with exceptional durability
- It is available in several metallic colors selected for their aesthetic appeal



Contact us



Properties

Request informations



Documents

Request informations

